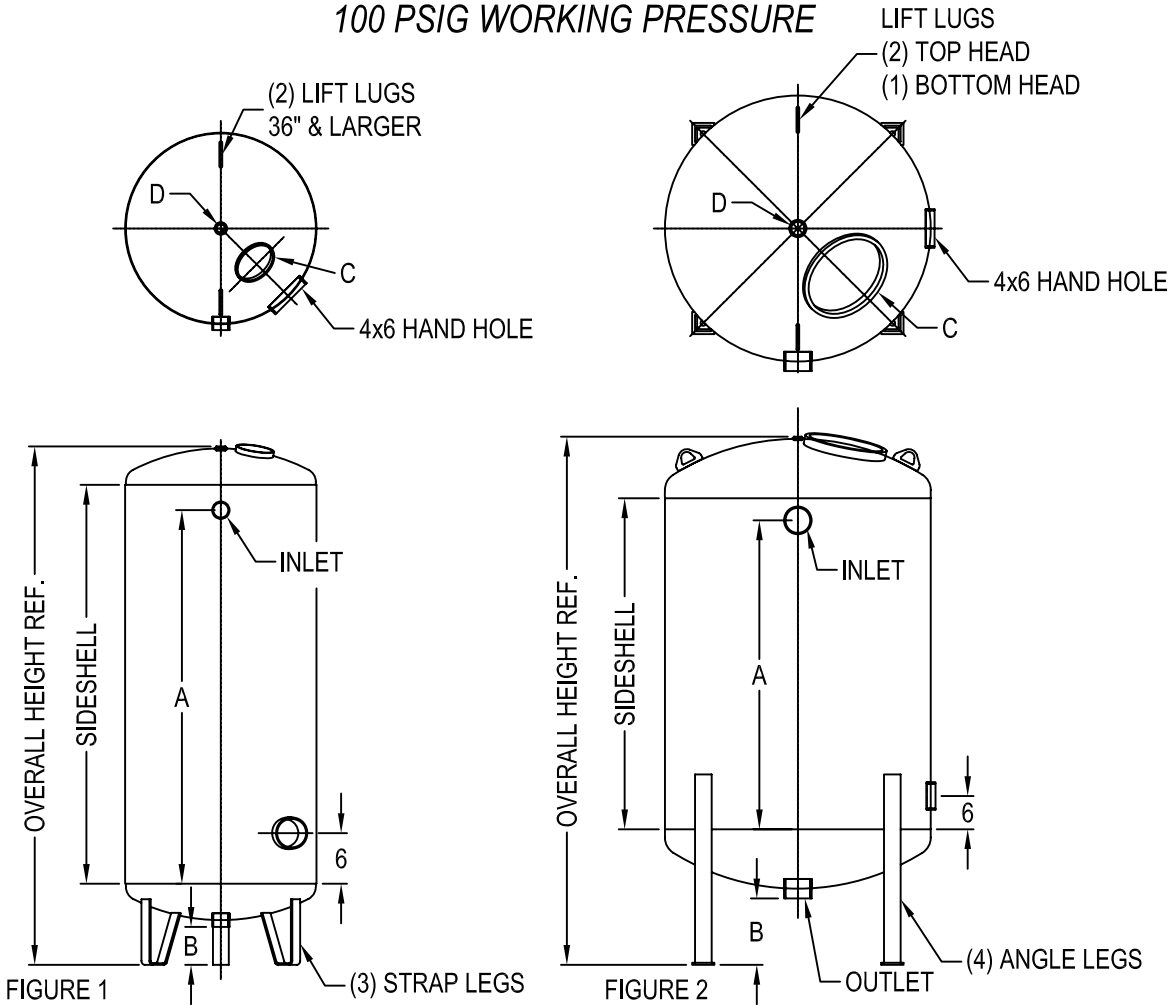


P.O.Box 338, Kendallville, IN 46755  
800-348-2514 Fax 800-348-1514

NON-CODE QUICK WATER TREATMENT (QWT) TANKS  
EPOXY LINED & PRIMED OR FINISH COATED IN SAFETY BLUE EPOXY  
NSF/ANSI STANDARD 61 CERTIFIED LINING  
100 PSIG WORKING PRESSURE



DIMENSIONAL CHART								
DIAMETER	FIGURE	SIDE SHELL	A	B	INLET/OUTLET	C	D	OAH
20"	1	54"	50"	6"	2" NPS	4" X 6"	1" NPT	67"
		60"	55-3/4"					73"
24"	1	54"	50"	6"	2" NPS	4" X 6"	1" NPT	69"
		60"	55-3/4"					75"
30"	1	54"	50"	6"	2" NPS	4" X 6"	1" NPT	73"
		60"	55-3/4"					79"
36"	1	60"	55-3/4"	9"	3" NPT	12" X 16"	1" NPT	86"
		72"	67-3/4"					98"
42"	1	60"	55-3/4"	9"	3" NPT	12" X 16"	1" NPT	87"
		72"	67-3/4"					100"
48"	2	60"	55-3/4"	12"	4" NPT	12" X 16"	2" NPS	96"
		72"	67-3/4"					108"
54"	2	60"	55-3/4"	12"	4" NPT	12" X 16"	2" NPS	99"
		72"	67-3/4"					111"
60"	2	60"	55-3/4"	12"	4" NPT	12" X 16"	2" NPS	100"
		72"	67-3/4"					112"
66"	2	60"	55-3/4"	12"	4" NPT	12" X 16"	2" NPS	103"
		72"	67-3/4"					115"
72"	2	60"	55-3/4"	12"	4" NPT	12" X 16"	2" NPS	105"
		72"	67-3/4"					117"